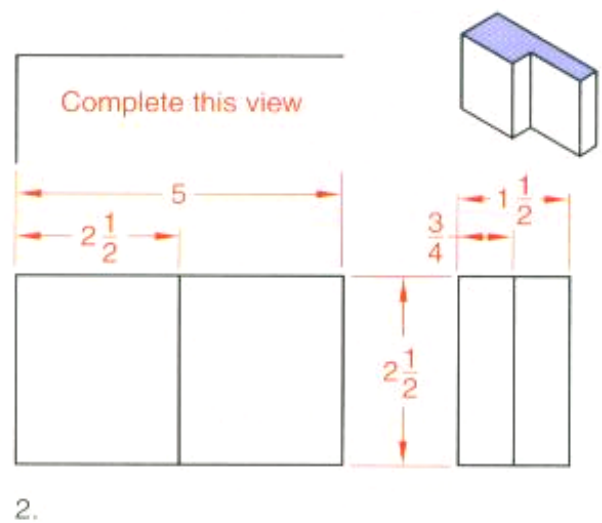
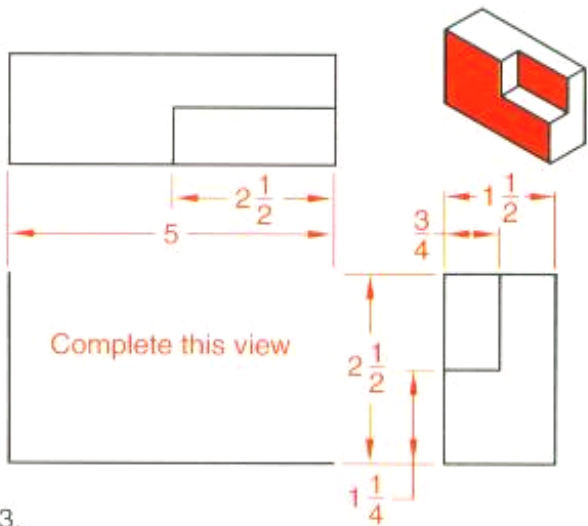


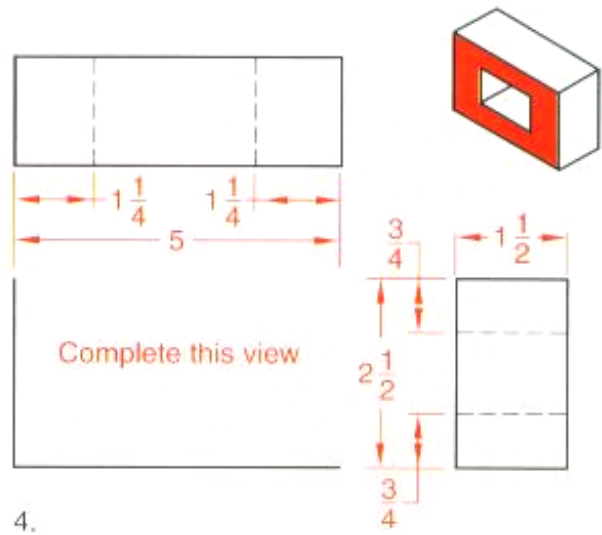
1.



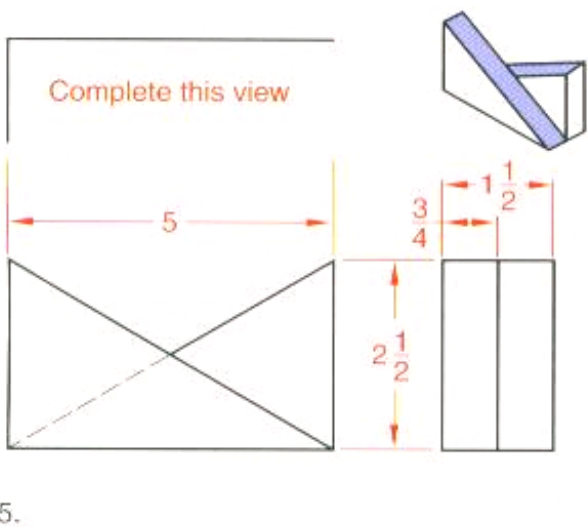
2.



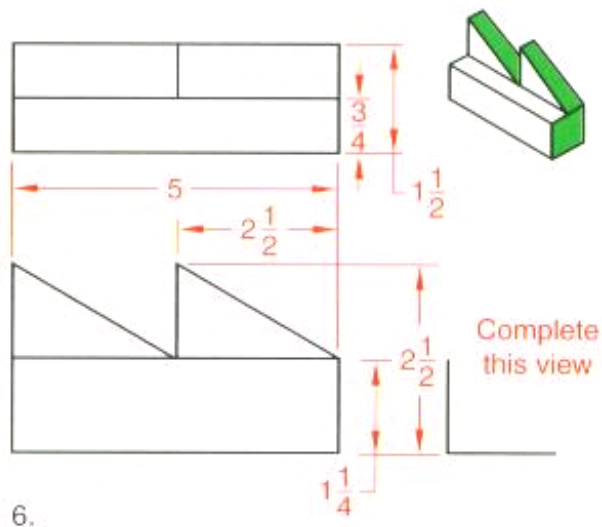
3.



4.



5.



6.

Problem Sheet 9-1

Draw each problem on a separate sheet and complete as indicated.

