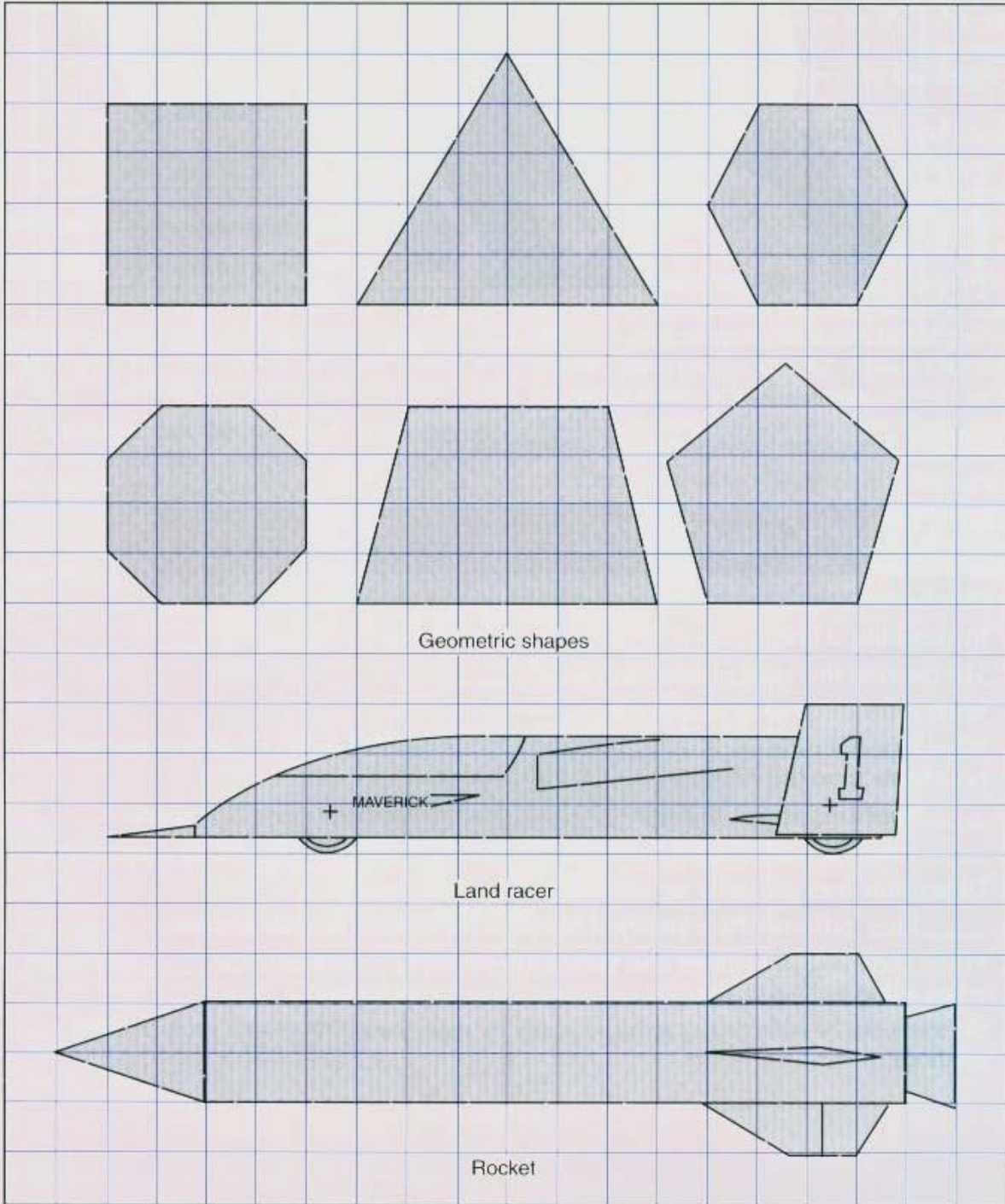
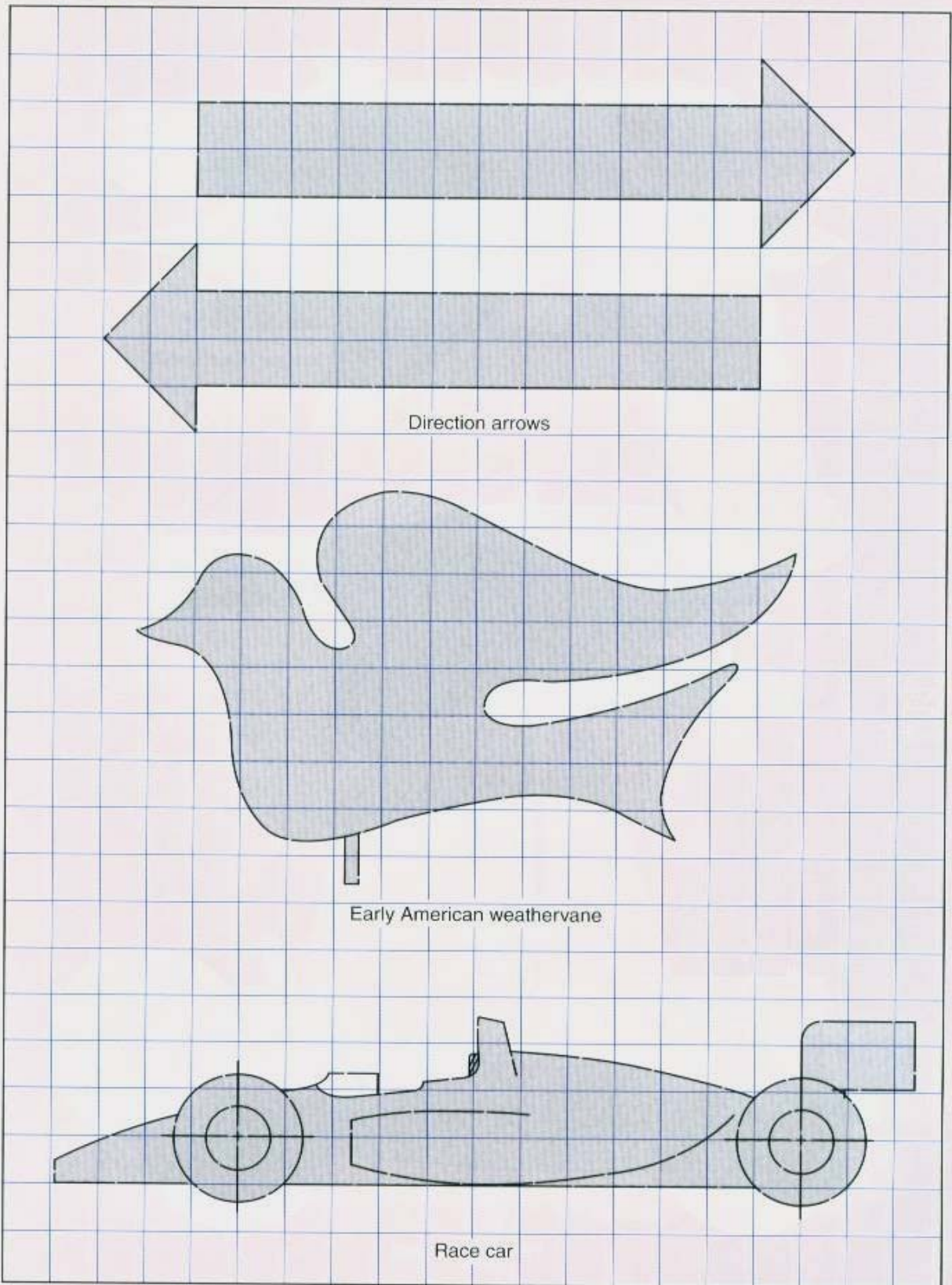
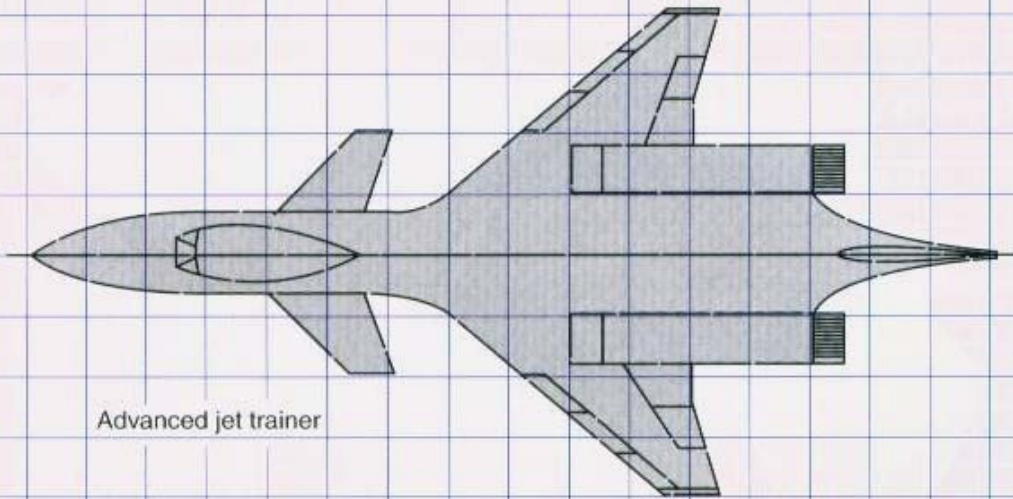


Drawing Problems

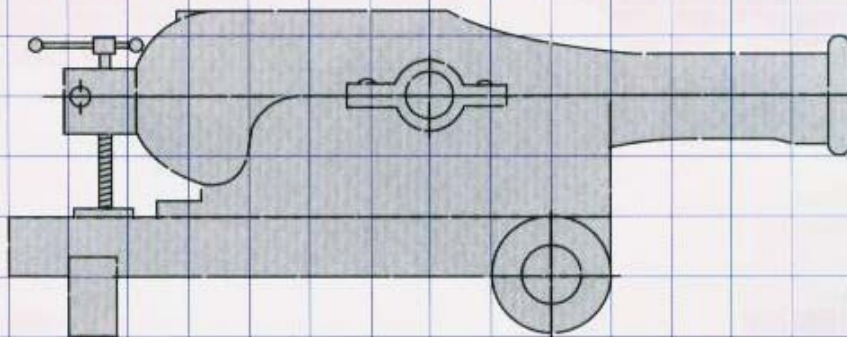
Practice your sketching techniques using the objects shown on the problem sheets on the following pages. The sketches shown have 1/2" grid spacing. You may enlarge or reduce each drawing by using the graph method.



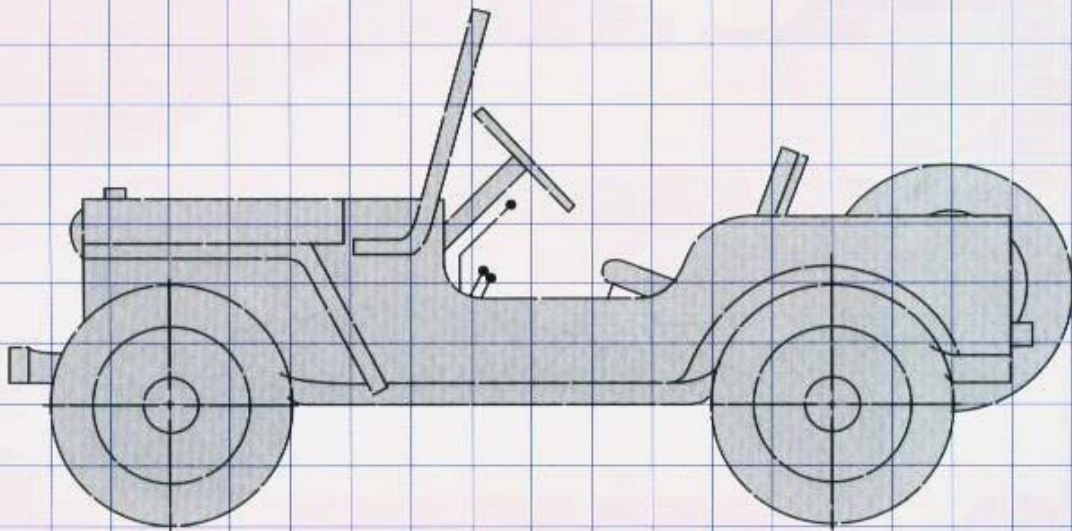




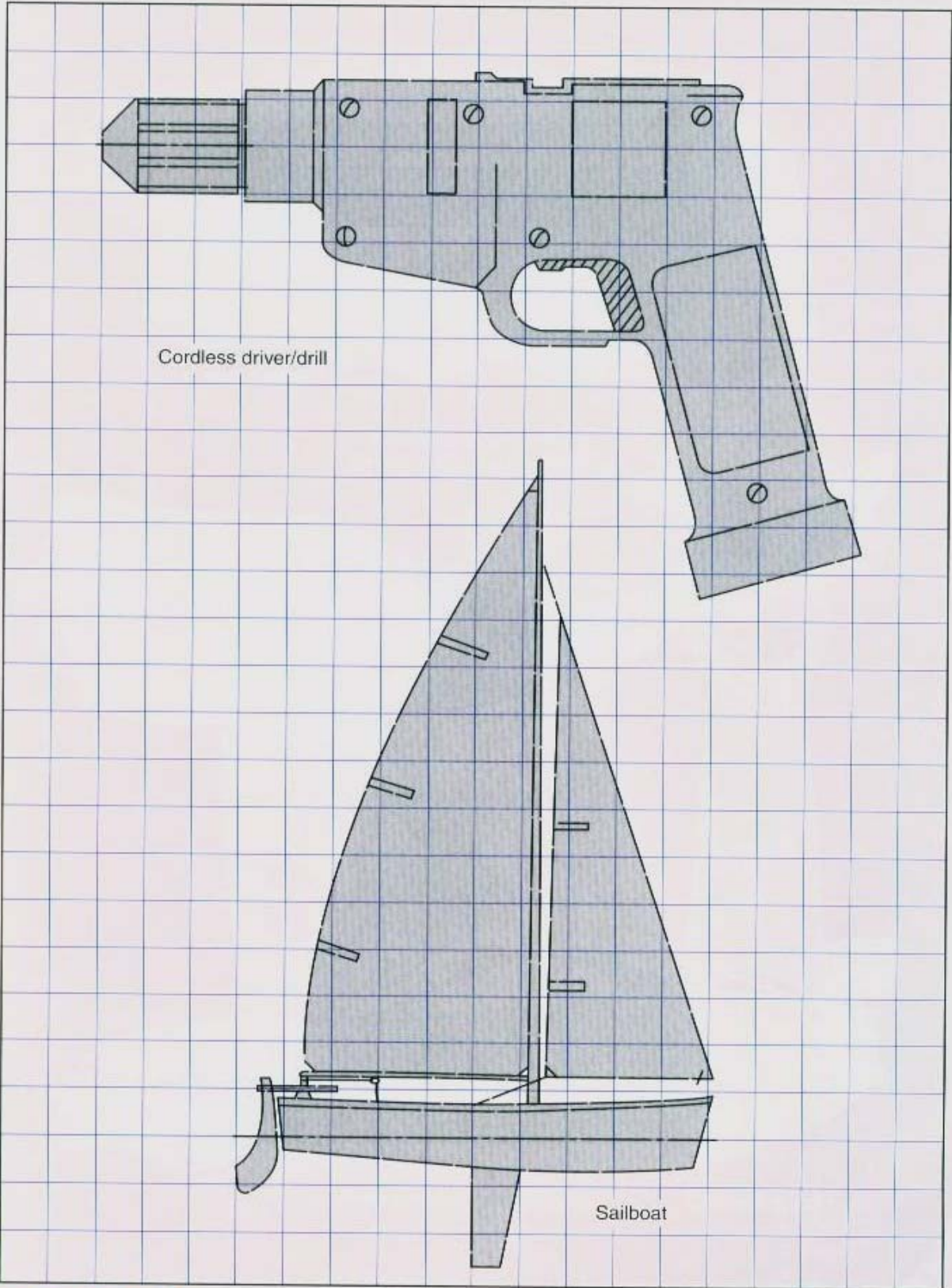
Advanced jet trainer

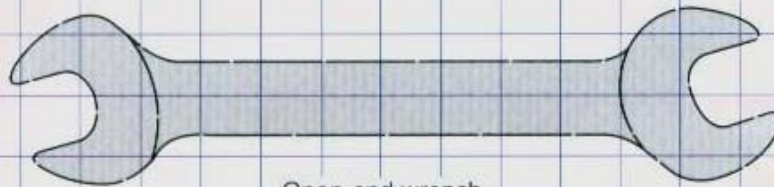


Civil War naval gun

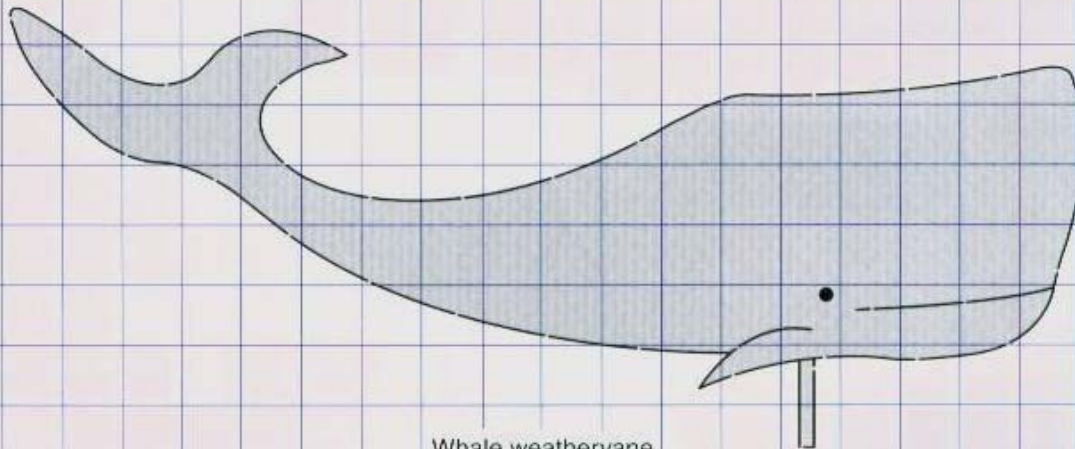


World War II jeep

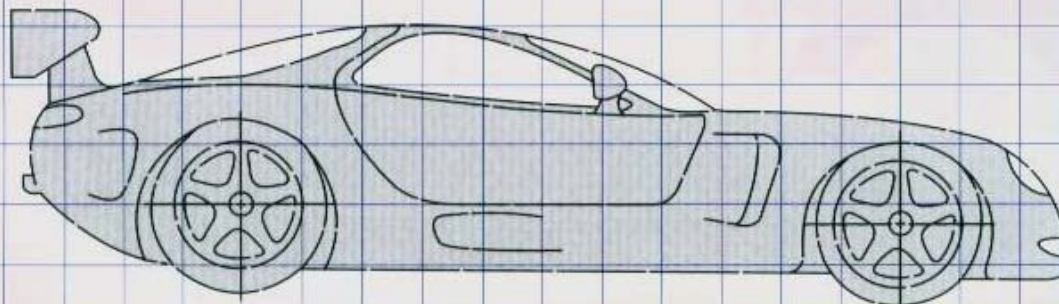




Open-end wrench



Whale weathervane



High-performance sports coupe